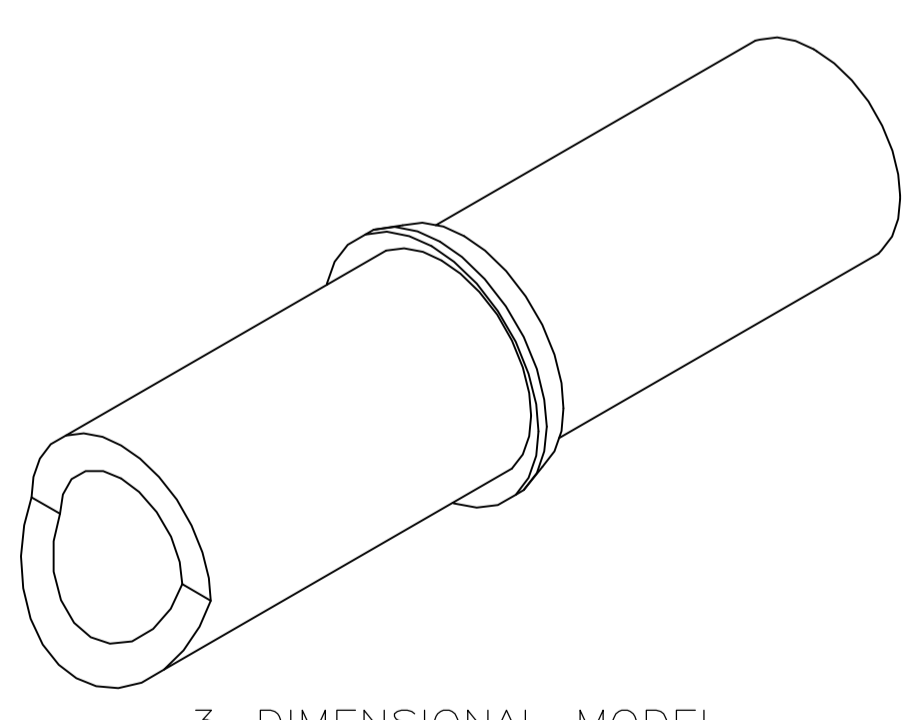
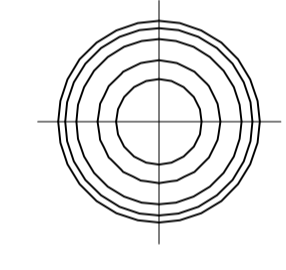
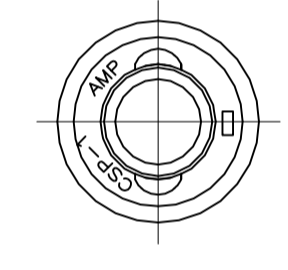
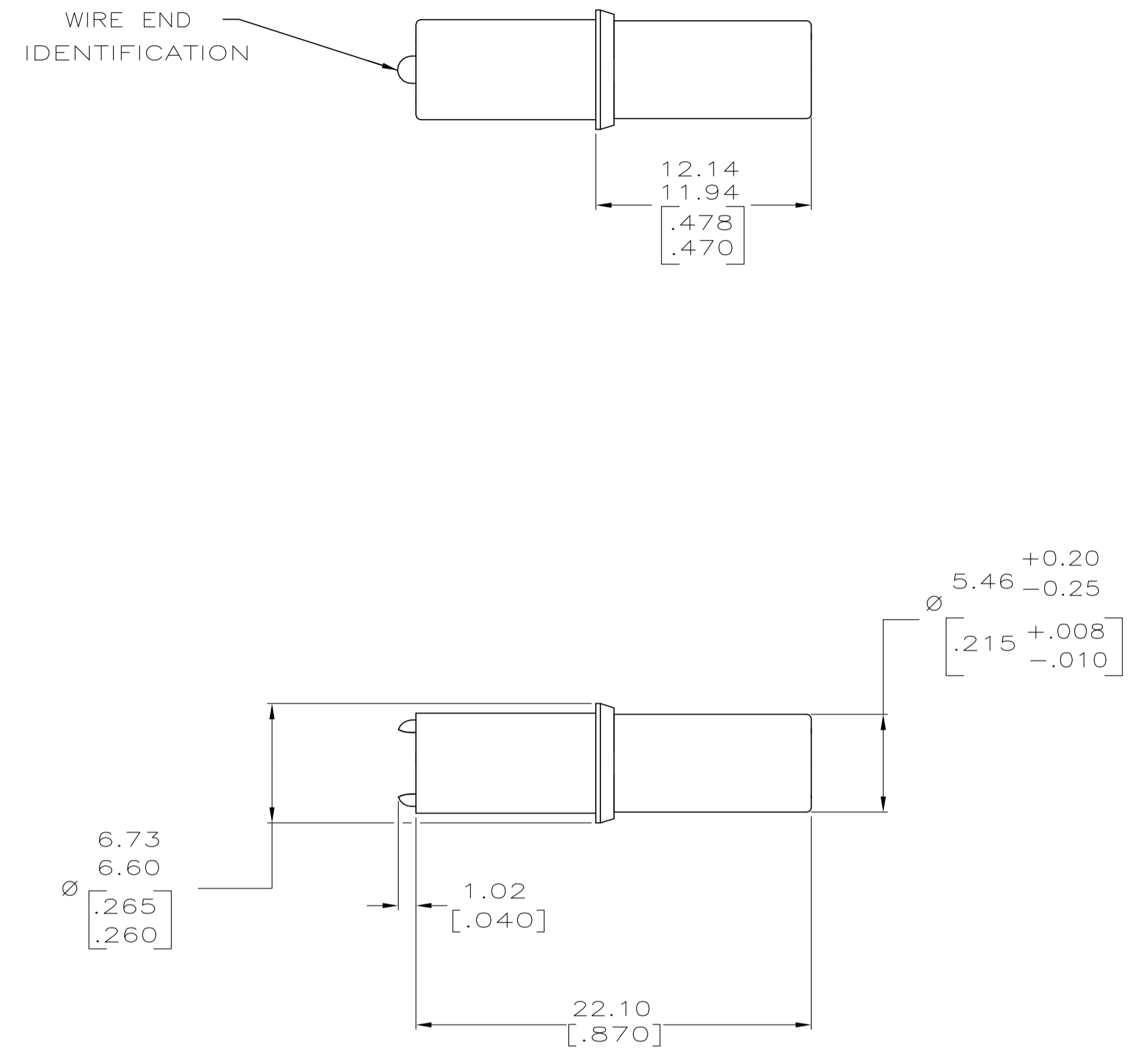
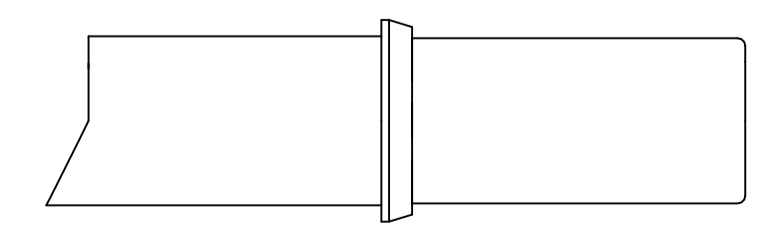
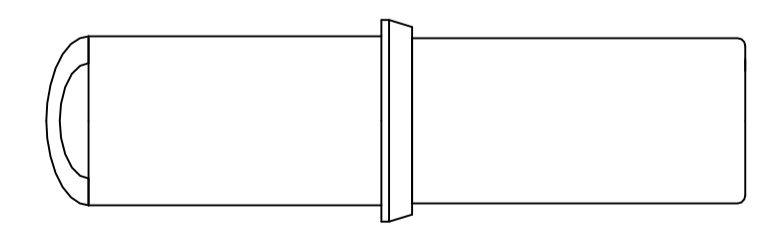


LOC		DIST		REVISIONS			
P	LTR	DESCRIPTION	DATE	DNW	APVD		
K1		REVISED PER ECO-11-004820	11MAR11	RK	HMR		

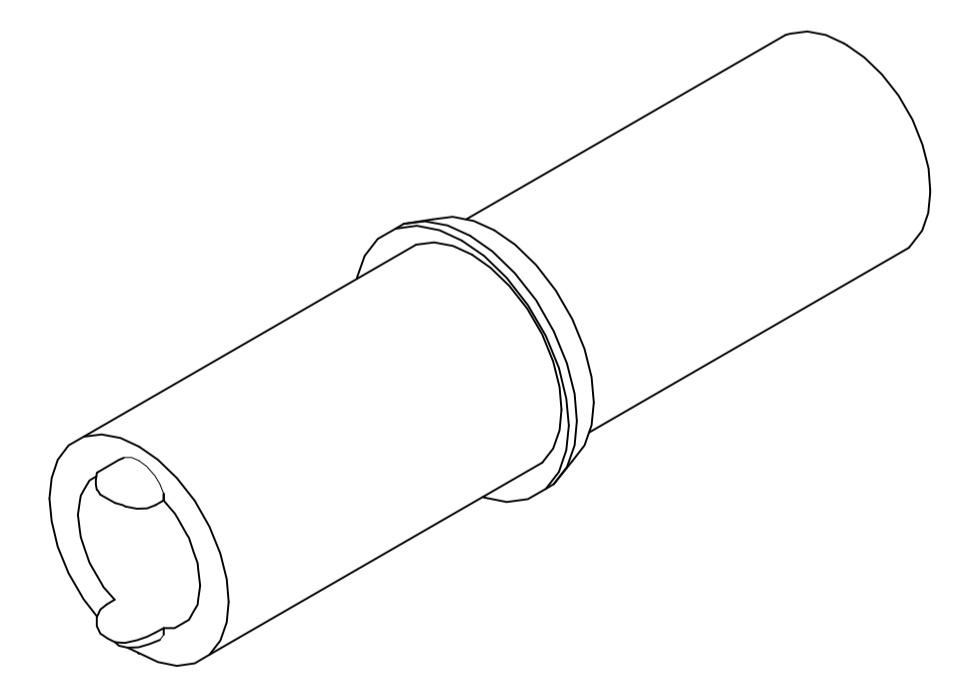
1. TO BE USED WITH APPROPRIATE COMMERCIAL MATE-N-LOK SOCKETS.
2. MATES WITH CAP 480350 OR 480351.
3. DIMENSIONS IN BRACKETS ARE IN INCHES.



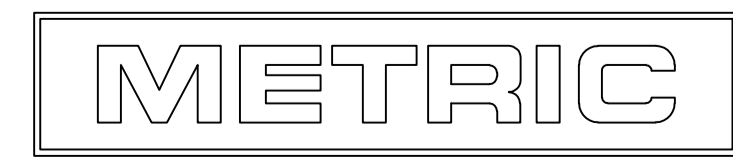
3-DIMENSIONAL MODEL
NTS



ALTERNATE CONSTRUCTION
(FOR FOREIGN PRODUCTION ONLY)



3-DIMENSIONAL MODEL
NTS



BLUE	1-480349-6
GREEN	1-480349-5
RED	1-480349-2
NATURAL	1-480349-0
COLOR	PART NO.

THIS DRAWING IS A CONTROLLED DOCUMENT.		DIN K SALMON 3-8-94		APVD C MARTIN		NAME	
DIMENSIONS: INCHES		TOLERANCES UNLESS OTHERWISE SPECIFIED:		APVD R SWING 3-8-94		TE Connectivity	
0. PLC ± -		1. PLC ± -		2. PLC ± 0.13[.005]		TM PLUG, SINGLE CIRCUIT,	
3. PLC ± -		4. PLC ± -		ANGLES ± -		SIZE CAGE CODE DRAWING NO. RESTRICTED TO	
MATERIAL NYLON		FINISH -		WEIGHT -		A1 00779 C=480349	
CUSTOMER DRAWING				SCALE 4:1		SHEET 1 OF 1 REV K1	